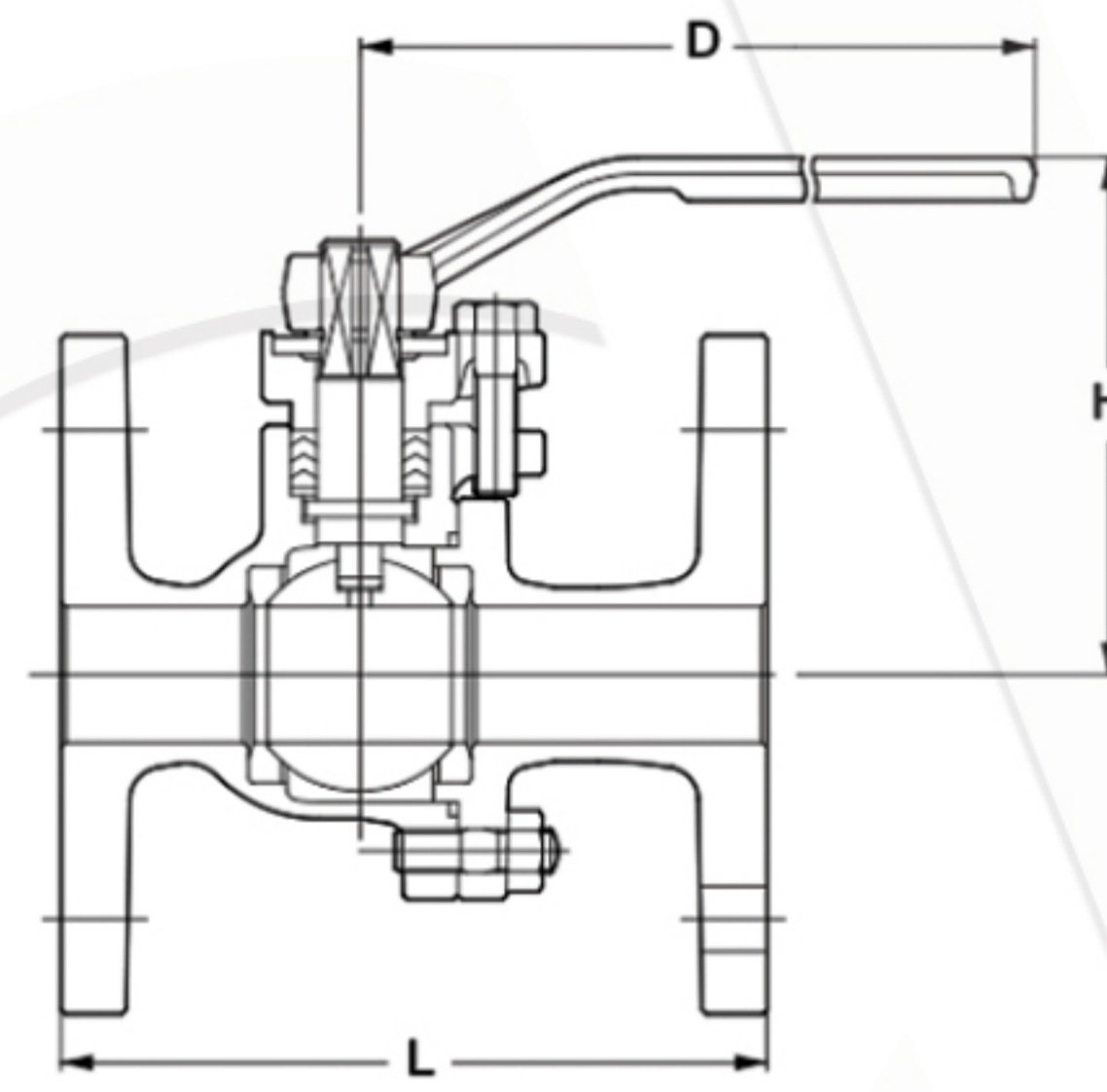


10K

BRONZE BALL VALVE

Bolted body cap, Full bore
Fringed ends to JIS B2240 10K

W.O.G. non-shock 1.4 MPa (14kgf/cm²), W.O.G. 150°C 0.69 MPa (7kgf/cm²)



Materials

Parts	Material
Body	Bronze
Body cap	Bronze
Stem	Dezincification Resistant Brass
Ball	Brass**/ Stainless Steel*
Ball seat	PTFE
Grand packing	PTFE

*Size 4 only

**Chrome or Nickel-chrome plated

Dimensions

Nominal Size	inch	1/2	3/4	1	1 1/4	1 1/2	2	2 1/2	3	4	mm
	mm	15	20	25	32	40	50	65	80	100	
L		110	120	130	140	165	180	190	200	230	
H		85	88	95	100	115	122	153	162	190	
D		130	130	160	160	230	230	400	400	460	

Fig. TB

- Flanged ends to JIS 10K